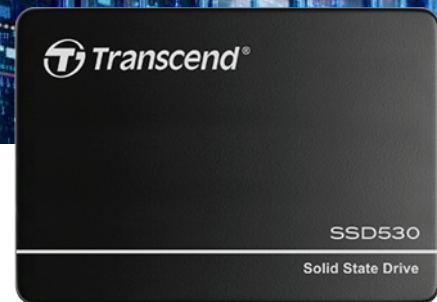


## Embedded Solutions

# 2.5" SATA III SSD SSD530K

100K P/E cycles



Transcend's SSD530K features the SATA III 6Gb/s interface, 3D NAND flash memory, and Transcend's exclusive SLC mode technology. Combined, these provide superior reliability and endurance nearly equivalent to SLC, yet at a cost-effective price. The SSD530K comes equipped with a DRAM cache for fast access, and is made to operate well in extended temperature (-20°C~75°C), ideal for embedded applications, such as embedded automation computers, engineering machines, and fanless PCs. Reliable speeds and customized functions cater to the requirements of various embedded system applications.

## Features

- High-quality 3D NAND flash and SLC mode for exceptional endurance and reliability
- Endurance: 100K P/E cycles (Program/Erase cycles) guaranteed
- Key components fortified by default with Corner Bond technology
- Advanced Global Wear-Leveling and Block management for reliability
- Advanced Garbage Collection
- DRAM Cache embedded
- Built-in LDPC ECC (Error Correction Code) functionality
- Power-saving DevSleep (Device Sleep) mode
- Enhanced S.M.A.R.T. function for durability
- Compliant with RoHS 2.0 standards
- Dynamic thermal throttling integrity
- Supports Trim and NCQ command

## Ordering Information

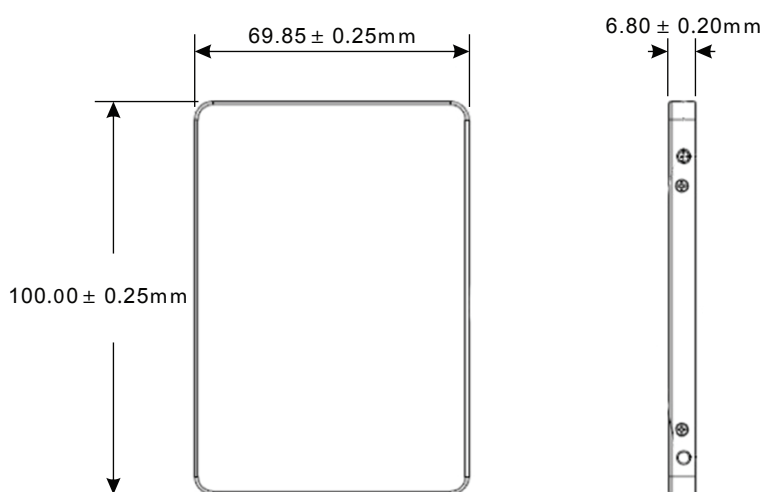
Extended (-20°C~ 75°C)

64GB	TS64GSSD530K
128GB	TS128GSSD530K

## Specifications

Appearance	Dimensions	100 mm x 69.85 mm x 6.8 mm (3.94" x 2.75" x 0.27")
	Weight	54 g (1.90 oz)
	Form Factor	2.5"
Interface	Bus Interface	SATA III 6Gb/s
Storage	Flash Type	3D NAND flash (SLC mode)
	Capacity	64 GB/128 GB
Operating Environment	Operating Voltage	5V±5%
	Operating Temperature	Extended: -20°C (-4°F) ~ 75°C (167°F)
	Storage Temperature	-40°C (-40°F) ~ 85°C (185°F)
	Humidity	5% ~ 95%
	Shock	1500 G, 0.5 ms, 3 axis
Power	Vibration	20 G (peak-to-peak), 7 Hz ~ 2000 Hz (frequency)
	Power Consumption (Operation)	2.8 watt(s)
Performance	Power Consumption (Sleep)	0.4 watt(s)
	Sequential Read/Write (CrystalDiskMark)	Read: 560 MB/s ; write: 490 MB/s
	4K Random Read/Write (IOMeter)	Read: 83,000 IOPS ; write: 88,000 IOPS
	Mean Time Between Failures (MTBF)	3,000,000 hour(s)
	Terabytes Written (TBW)	6,400 TBW
Warranty	Drive Writes Per Day (DWPD)	45.7 (3 yrs)
	Certificate	CE/FCC/BSMI
Note	Warranty	Three-year Limited Warranty
	<ul style="list-style-type: none"> <li>• Speed may vary due to host hardware, software, usage, and storage capacity.</li> <li>• The workload used to rate DWPD may be different from your actual workload, which may vary due to host hardware, software, usage, and storage capacity.</li> </ul>	

## Mechanical Dimensions



Product specifications are subject to change without notice. Pictures shown may differ from actual products. Total accessible capacity varies depending on operating environment. Due to the complexity and variety of industrial applications, Transcend cannot guarantee 100% compatibility with all platforms and under all scenarios. For special applications and environments, it is strongly suggested that you contact Transcend beforehand for clarification.



Please feel free to contact us with any special requests you might have.  
Tel: +886-2-2792-8000 [www.transcend-info.com](http://www.transcend-info.com)