

Embedded Solutions



SD Cards

SDHC/SDXC220

Transcend's SLC Mode technology is a cost-effective solution that offers performance close to that of SLC NAND flash. SLC Mode SDXC/SDHC220 UHS-I U1 Cards combine the advantages of high performance and exceptional endurance at an affordable price, making them ideal for demanding industrial applications such as POS terminals as well as portable devices equipped with an SD memory card slot.

Hardware Features

- Compliant with RoHS 2.0 standards
- Compliant with SD specification 3.01
- Compliant with UHS-I
- Electrostatic protection (ESD IEC 61000-4-2)
- Supports Transcend Scope Pro software

Firmware Features

- Supports S.M.A.R.T. function to conduct health monitoring, analysis, and reporting for storage devices
- Early Move
- Built-in ECC (Error Correction Code) functionality
- Wear-Leveling

Ordering Information

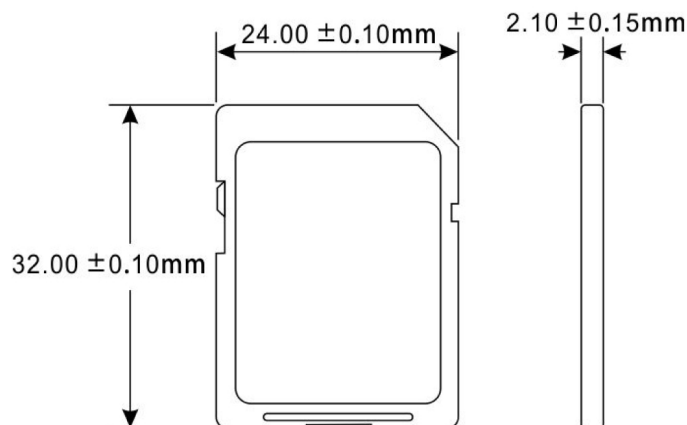
| | |
|------|-------------|
| 16GB | TS16GSDC220 |
| 32GB | TS32GSDC220 |

*Scope Pro is only available when used with the [RDF5](#) card reader.

Specifications

| | | |
|------------------------------|--------------------------|--|
| Appearance | Dimensions | 24 mm x 32 mm x 2.1 mm (0.94" x 1.26" x 0.08") |
| | Form Factor | SD flash card |
| Storage | Flash Type | MLC NAND flash (SLC mode) |
| | Capacity | 16 GB / 32 GB |
| Operating Environment | Operating Voltage | 2.7V ~ 3.6V |
| | Drop Test | 1.5m free fall |
| | Operating Temperature | Standard Temp. -25°C (-13°F) ~ 85°C (185°F) |
| | Storage Temperature | -40°C (-40°F) ~ 85°C (185°F) |
| | Humidity | 0% ~ 95% |
| | Shock | Acceleration: 490 m/s ² (standard holding time: 11 ms, semi-sine wave, velocity change: 3.44 m/s) |
| | Vibration (Operating) | 20 G (peak-to-peak), 20 Hz ~ 2,000 Hz (frequency) |
| Power | Power Consumption (Max.) | 0.72 watt(s) |
| Performance | Read Speed (Max.) | up to 95 MB/s |
| | Write Speed (Max.) | up to 80 MB/s |
| | Terabytes Written (TBW) | up to 600 TBW |
| Warranty | Certificate | CE / FCC |
| | Warranty | Three-year Limited Warranty |

Mechanical Dimensions



Product specifications are subject to change without notice. Pictures shown may differ from actual products. Total accessible capacity varies depending on operating environment. Due to the complexity and variety of industrial applications, Transcend cannot guarantee 100% compatibility with all platforms and under all scenarios. For special applications and environments, it is strongly suggested that you contact Transcend beforehand for clarification.